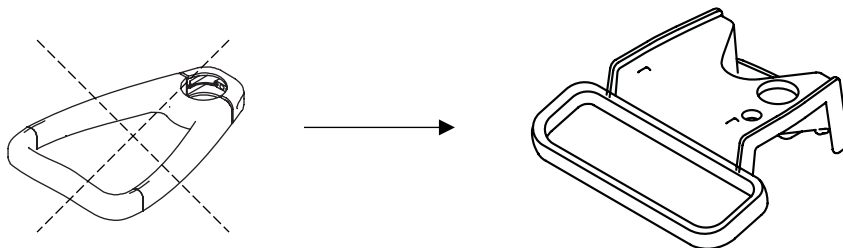
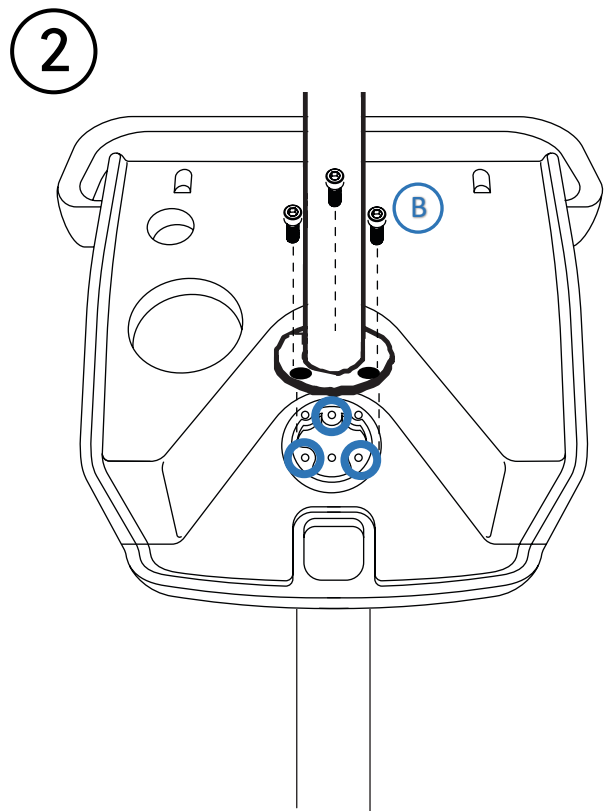
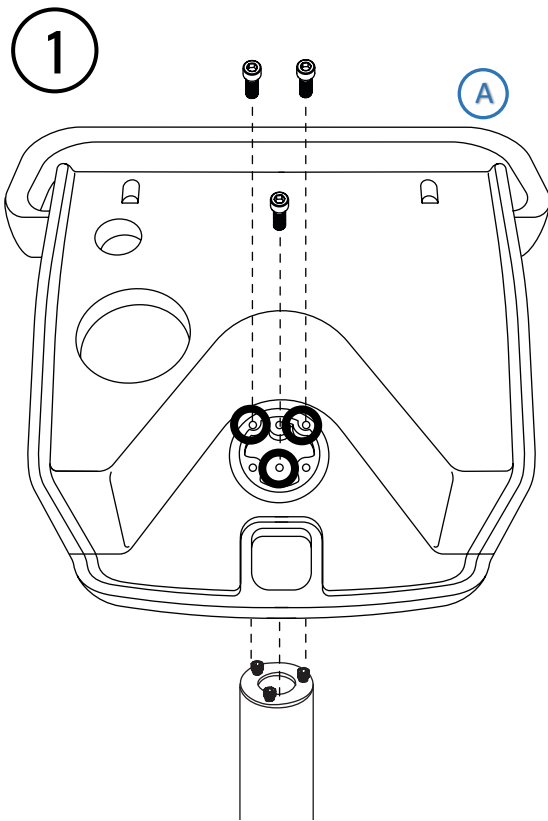
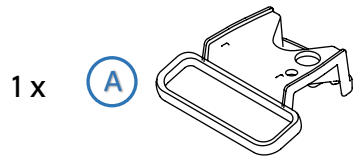


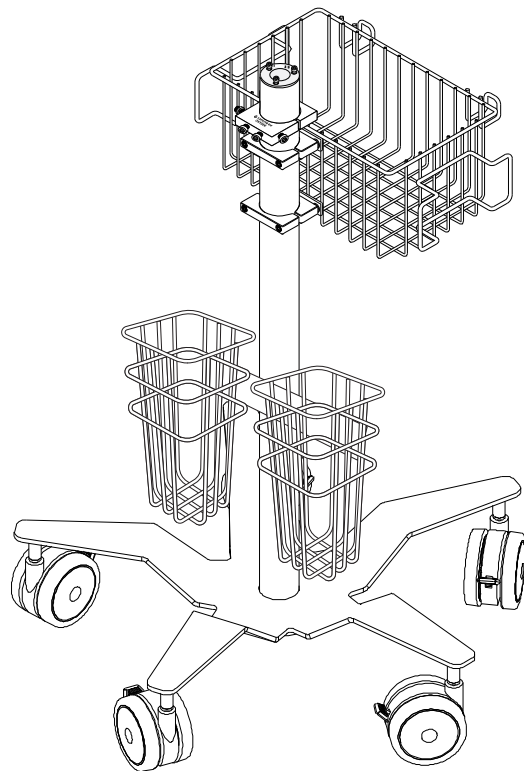
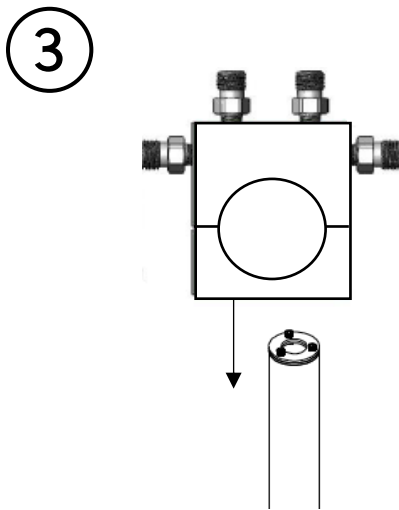
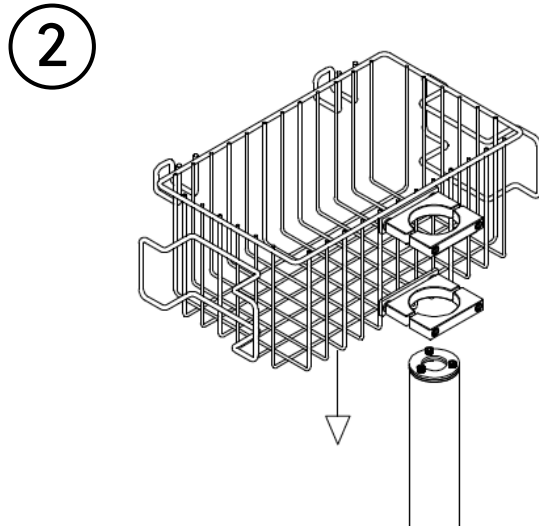
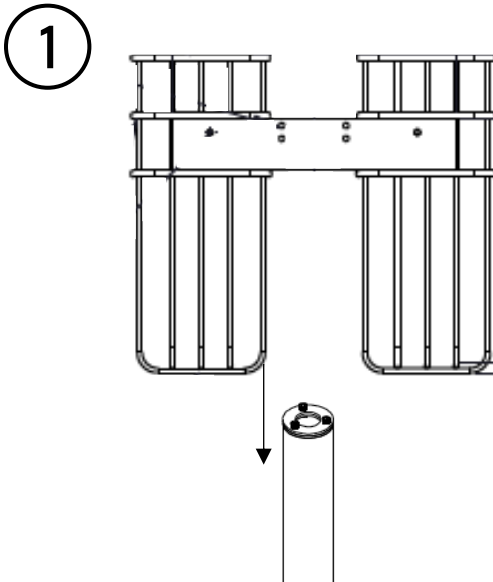
HVT 2.0 Mounting Plate Assembly Instructions

For Use with Vapotherm HVT 2.0 and Roll Stand



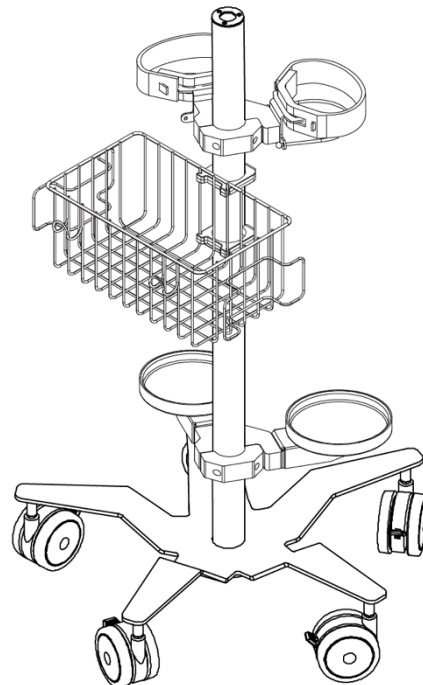
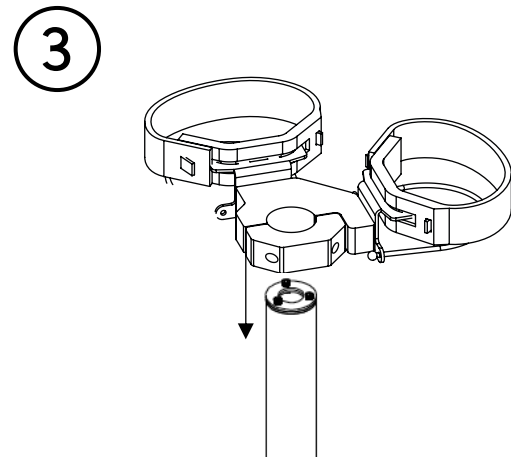
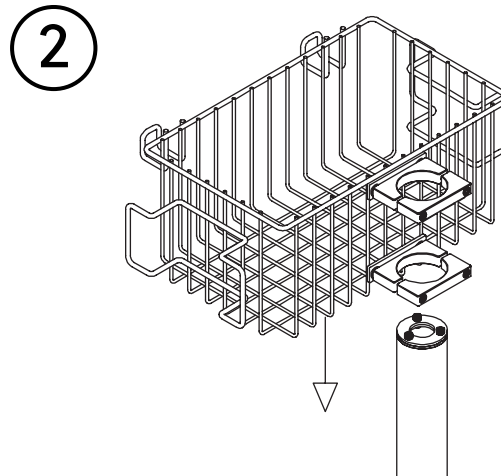
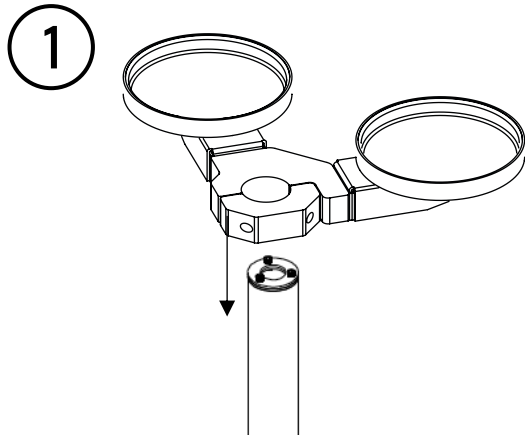
HVT 2.0 Transfer Upgrade Kit Assembly Instructions


Optional Configuration 1, For Use with Vapotherm HVT 2.0 and Roll Stand



HVT 2.0 Transfer Upgrade Kit Assembly Instructions

Optional Configuration 2, For Use with Vapotherm HVT 2.0 and Roll Stand



 Vapotherm Inc.
100 Domain Drive
Exeter, NH 03833
Tel: 603.658.0011
USA

May be Patented
www.vapotherm.com/patents

43000661 Rev A

CE 0297

CH	REP
----	-----

AJW Technology Consulting GmbH
Kreuzplatz 2
8032 Zurich (Switzerland)
Phone: +41 446 880 044

EC	REP
----	-----

AJW Technology Consulting GmbH
Breite Straße 3
40213 Düsseldorf (Germany)
Phone: +49 211 54059 6030